



ABN 49 003 452 551

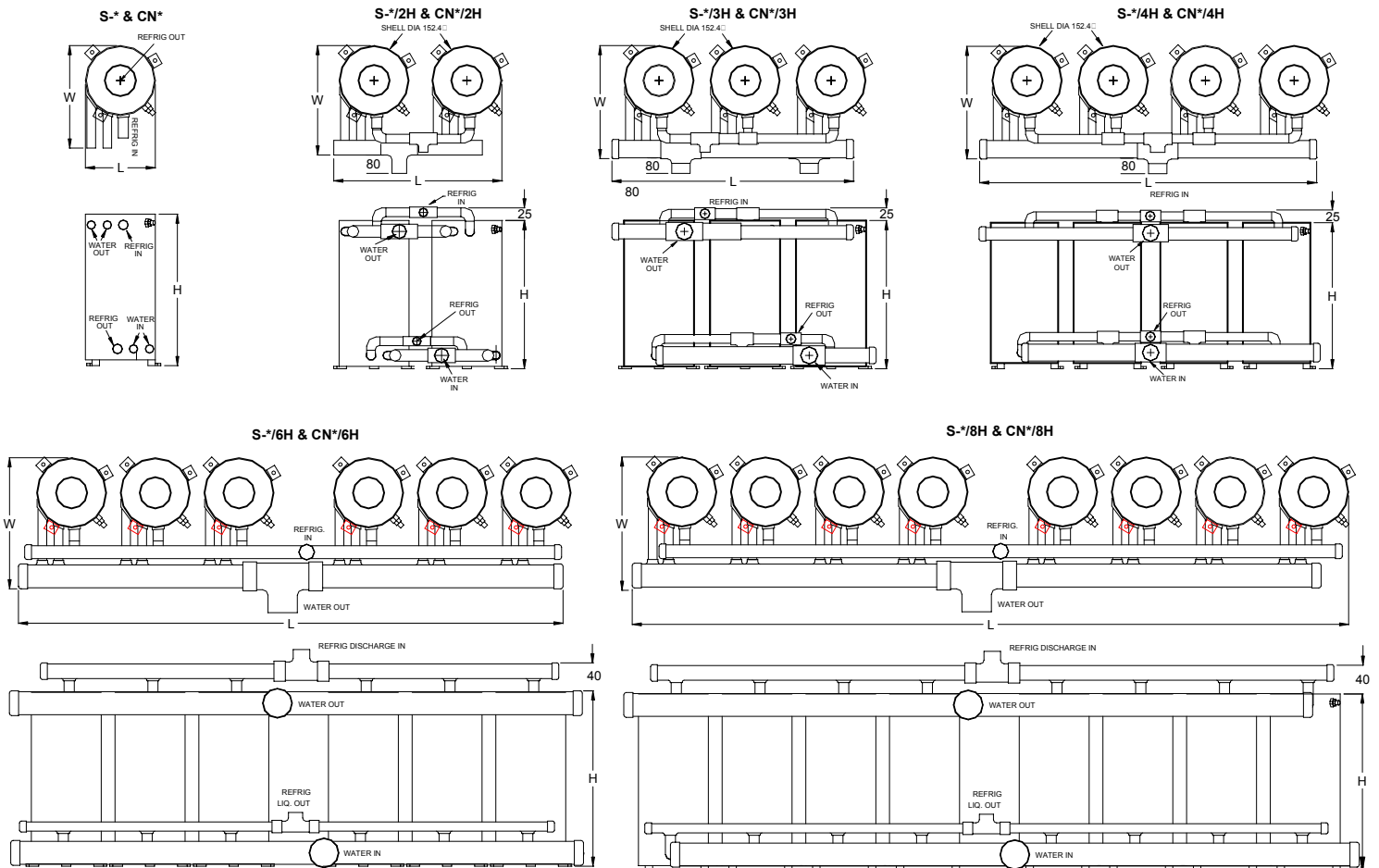
“S” & “CN” SERIES AQUA SYSTEMS WATER COOLED CONDENSERS

“S” Series & “CN” Series Aqua Systems condensers are compact high efficiency condensers suitable for refrigeration or air conditioning systems. The unique design reduces water flow as leaving water temperatures can be selected within 2°C of condensing temperatures while still providing up to 8K of liquid sub-cooling. Nominal capacities are based on water entering at 30°C with 43°C condensing temperatures. They are suitable for cool only or heat pump applications.

“S-” MODELS

Models		Nominal THR kW	Nominal Water Flow l/s	Dimensions				Weight kg	
				L	x	W	x		H
S-2	CN2	9.50	0.28	155	x	223	x	225	7
S-3	CN3	14.20	0.43	155	x	223	x	260	9
S-4	CN4	18.95	0.57	155	x	223	x	310	10
S-5	CN5	24.00	0.63	155	x	223	x	355	12
S-6	CN6	30.00	0.72	155	x	223	x	398	14
S-4/2H	CN4/2H	38.00	1.13	365	x	250	x	310	21
S-5/2H	CN5/2H	48.00	1.27	365	x	250	x	355	25
S-6/2H	CN6/2H	60.00	1.44	365	x	250	x	398	30
S-4/3H	CN4/3H	56.00	1.48	580	x	250	x	310	32
S-5/3H	CN5/3H	72.00	1.92	580	x	250	x	355	38
S-6/3H	CN6/3H	90.00	2.14	580	x	250	x	398	45
S-5/4H	CN5/4H	96.00	2.55	795	x	250	x	355	51
S-6/4H	CN6/4H	120.00	2.87	795	x	250	x	398	59
S-6/6H	CN6/6H	180.00	4.30	1225	x	280	x	398	89
S-6/8H	CN6/8H	240.00	5.74	1633	x	280	x	398	117

Nominal water flow is based on entering water 30°C leaving water 40°C condensing temperature 43°C.



IN THE INTEREST OF CONTINUOUS PRODUCT IMPROVEMENT SPECIFICATIONS OR PERFORMANCE DATA MAY CHANGE WITHOUT NOTICE.